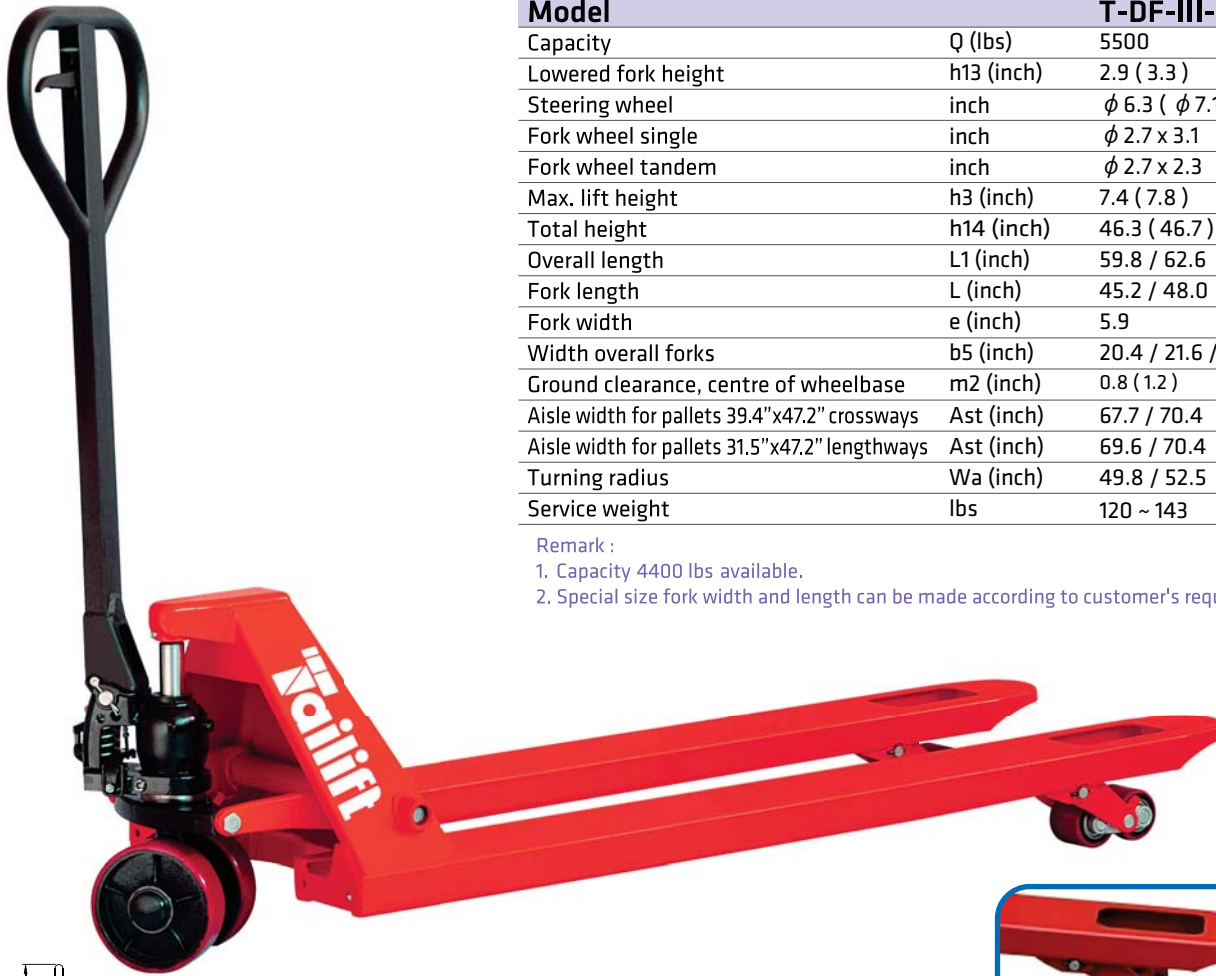


## Model : T-DF-III

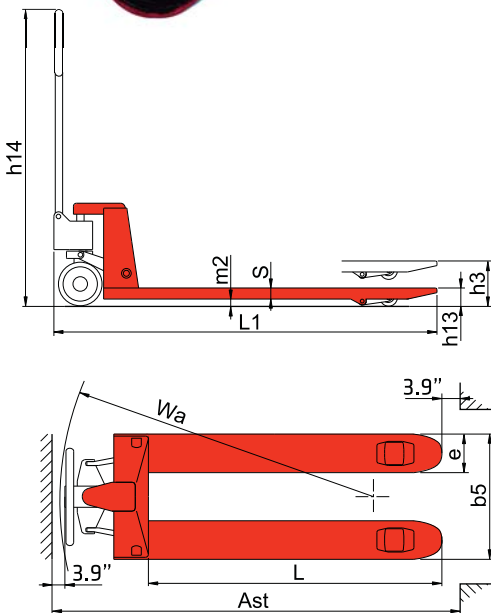
1 lbs = 0.455 kg 1 inch = 25.4 mm



Model		T-DF-III-25	T-DF-III-30
Capacity	Q (lbs)	5500	6600
Lowered fork height	h13 (inch)	2.9 (3.3)	2.9 (3.3)
Steering wheel	inch	φ 6.3 ( φ 7.1)	φ 6.3 ( φ 7.1)
Fork wheel single	inch	φ 2.7 x 3.1	φ 2.7 x 3.1
Fork wheel tandem	inch	φ 2.7 x 2.3	φ 2.7 x 2.3
Max. lift height	h3 (inch)	7.4 (7.8)	7.4 (7.8)
Total height	h14 (inch)	46.3 (46.7)	46.3 (46.7)
Overall length	L1 (inch)	59.8 / 62.6	59.8 / 62.6
Fork length	L (inch)	45.2 / 48.0	45.2 / 48.0
Fork width	e (inch)	5.9	5.9
Width overall forks	b5 (inch)	20.4 / 21.6 / 26.9	20.4 / 21.6 / 26.9
Ground clearance, centre of wheelbase	m2 (inch)	0.8 (1.2)	0.8 (1.2)
Aisle width for pallets 39.4"x47.2" crossways	Ast (inch)	67.7 / 70.4	67.7 / 70.4
Aisle width for pallets 31.5"x47.2" lengthways	Ast (inch)	69.6 / 70.4	69.6 / 70.4
Turning radius	Wa (inch)	49.8 / 52.5	49.8 / 52.5
Service weight	lbs	120 ~ 143	120 ~ 143

**Remark :**

1. Capacity 4400 lbs available.
2. Special size fork width and length can be made according to customer's requirement.



### Standard type pallet truck

- Chrome piston and ram for smooth operation and prevents excessive wear on the pump & seal.
- Excellent turning angle of 180 degrees facilities.
- Number of pump strokes-10 times. Lift height per stroke : 0.4"
- Option:
  - 1) Nylon wheel, polyurethane wheel, rubber wheel, single fork roller or tandem fork rollers.
  - 2) Fork length : 31.5" , 35.4" , 39.3"

### TAILIFT MATERIAL HANDLING TAIWAN CO., LTD.

No. 5, Zili 1st Road, Nankang Industrial Zone, Nantou city 540, TAIWAN  
 Tel: +886-49-2263800 Fax: +886-49- 2252919  
 Website: www.tailift.com E-mail: insales@tailift.com.tw

### TAILIFT MATERIAL HANDLING USA, Inc.

5550 Jurupa St, Ontario, CA 91761  
 TEL: (909) 930-9801, (909) 930-9802 FAX: (909) 930-9739  
 Website: www.tailift-usa.com

